

Notes:

USE OF THESE FILES AND DRAWINGS CONSTITUTES RECIPIENT'S AGREEMENT TO THE FOLLOWING:

THIS MEDIA IS RESTRICTED TO THE ORIGINAL SITE FOR WHICH IT WAS PREPARED. MATERIAL SHALL NOT BE TRANSFERRED TO ANY OTHER PARTY FOR USE IN OTHER PROJECTS. REUSE OR REPRODUCTION OF THE DOCUMENTS (WHOLE OR IN PART) FOR ANY OTHER PURPOSE THAN THAT FOR WHICH IT WAS INTENDED IS STRICTLY PROHIBITED.

Dwg. by	INT
Ckd. by	INT
Date	08/13/2018

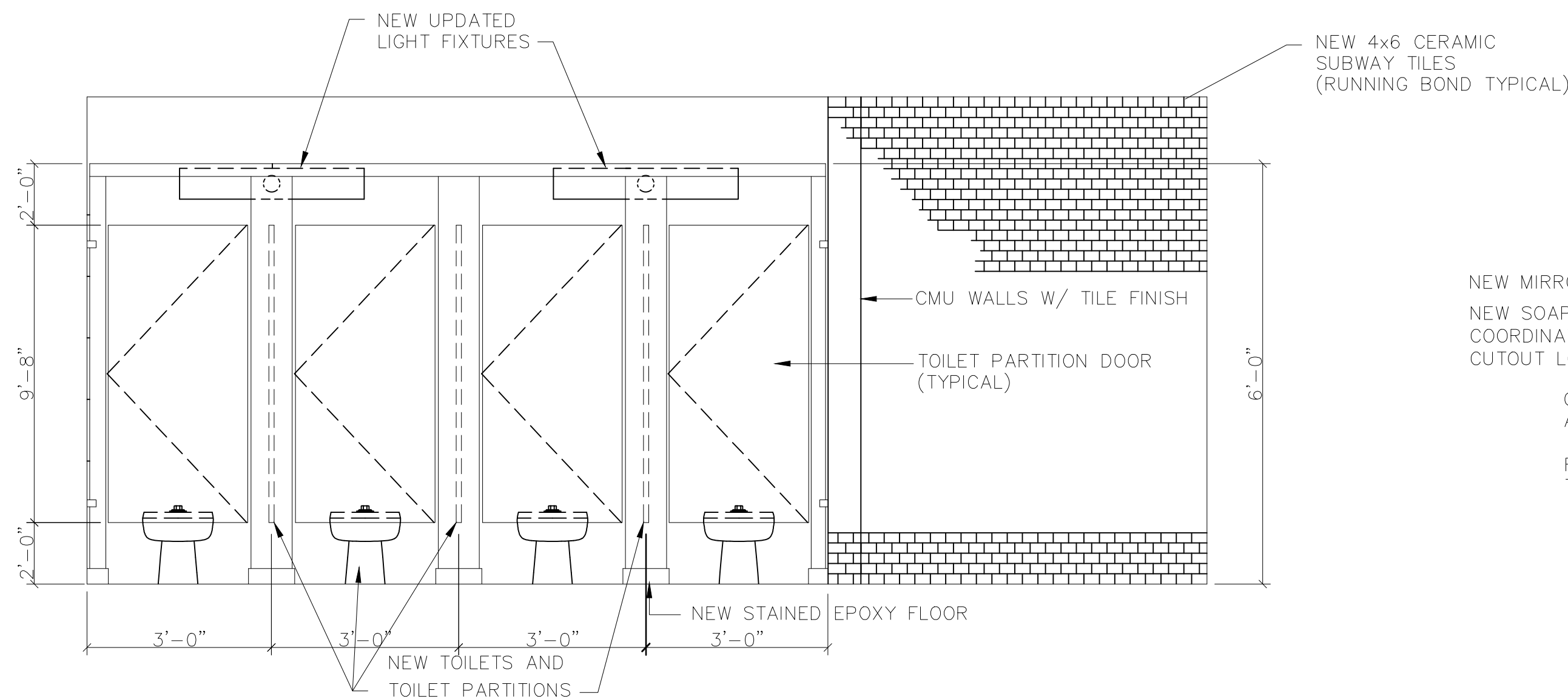
Project Number:

PB-425

Sheet Number:

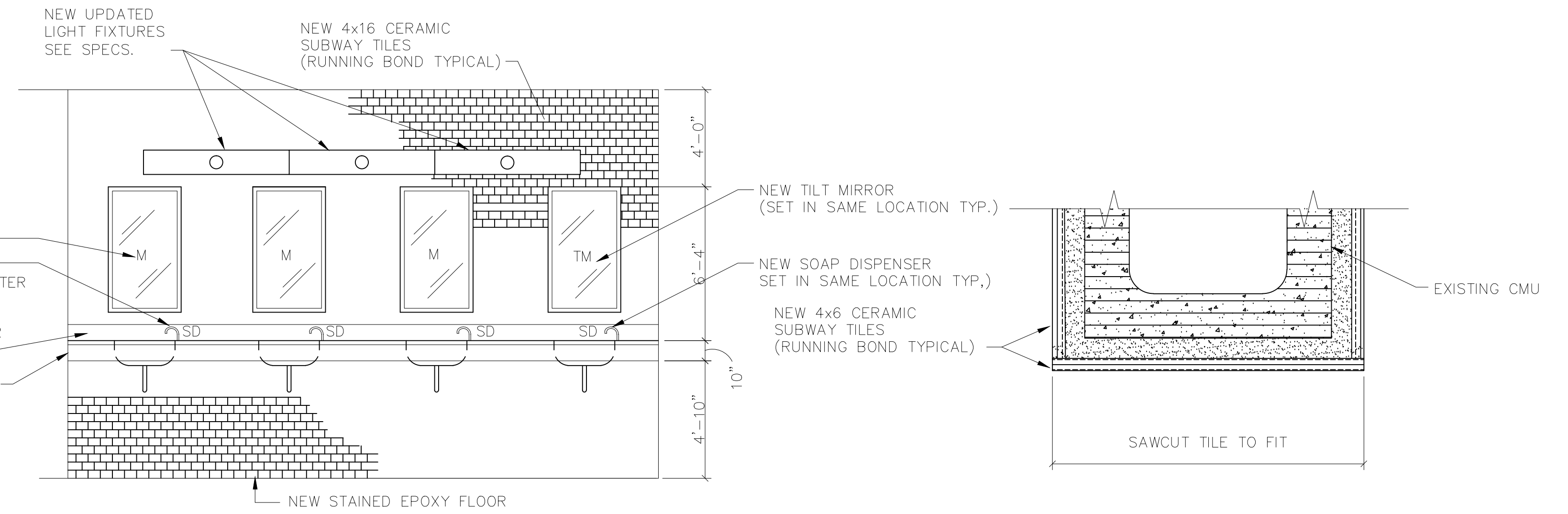
A-3

Architectural



TOILET ELEVATION

A-9 SCALE : 1/2" = 1'-0"

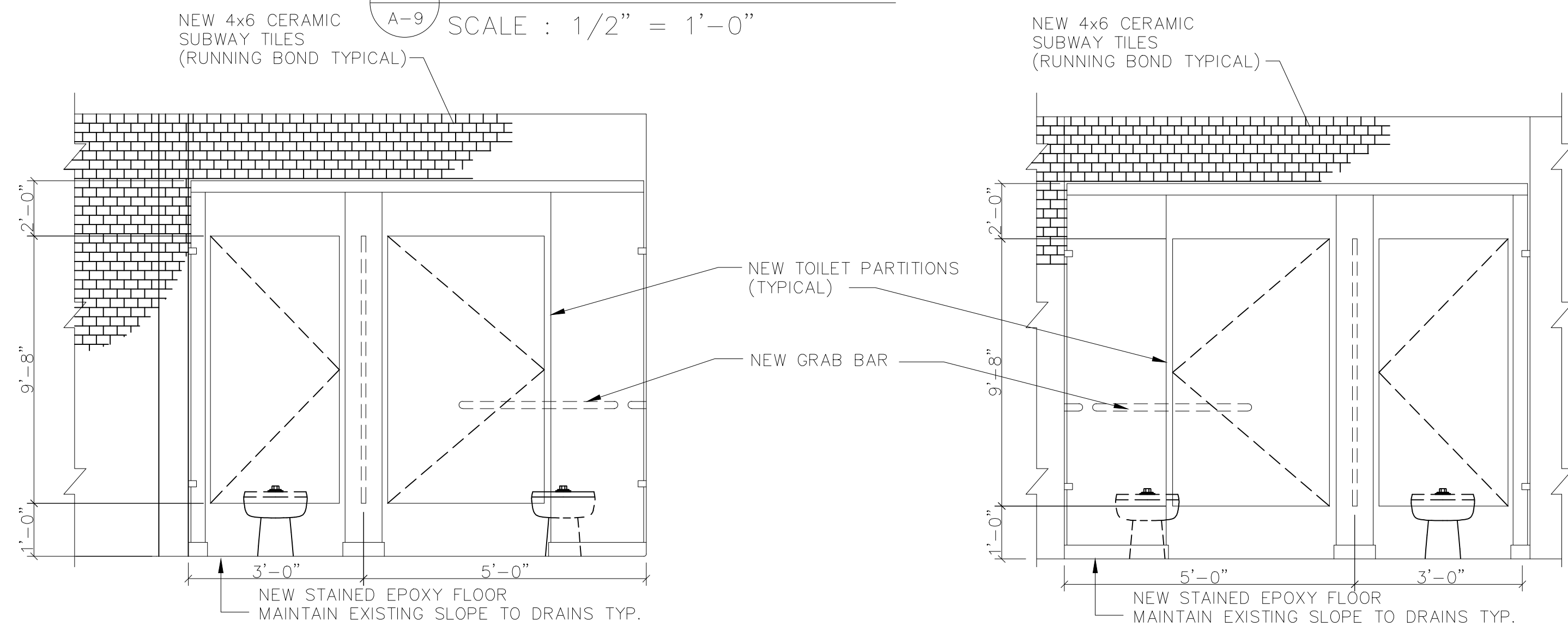


SINK ELEVATION

B-9 SCALE : 1/2" = 1'-0"

TYPICAL END WALL PLAN DETAIL

3-9 SCALE : NOT TO SCALE

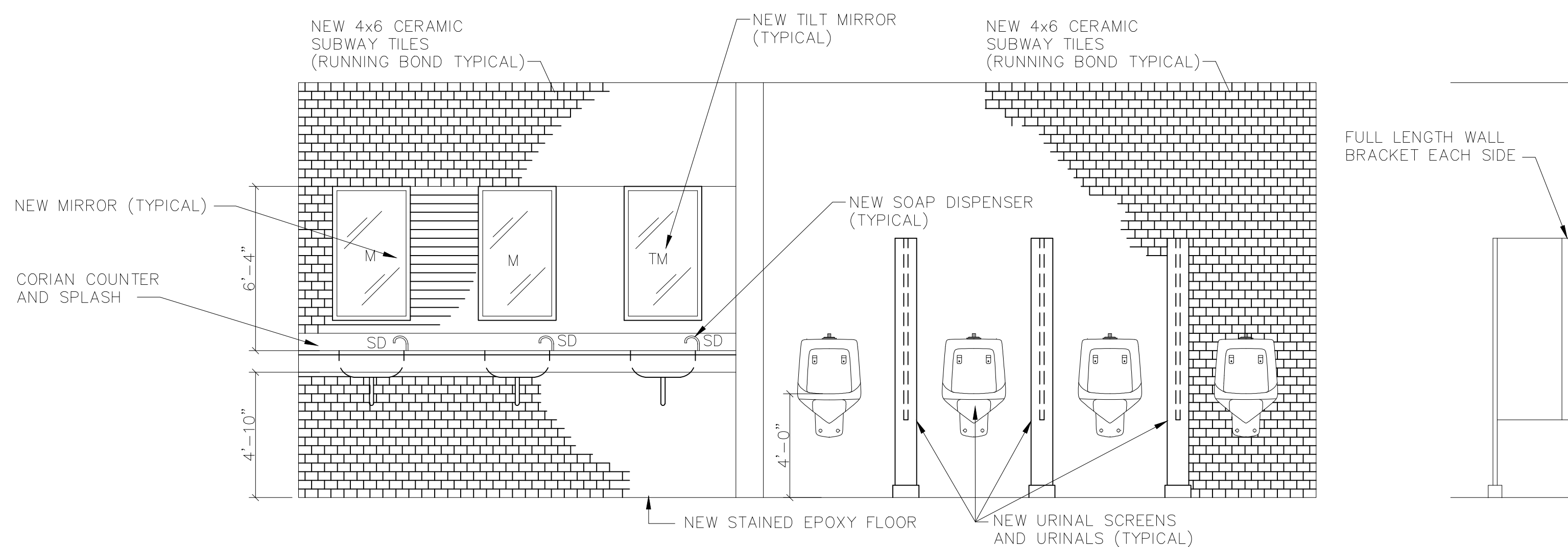


TOILET ELEVATION

C-9 SCALE : 1/2" = 1'-0"

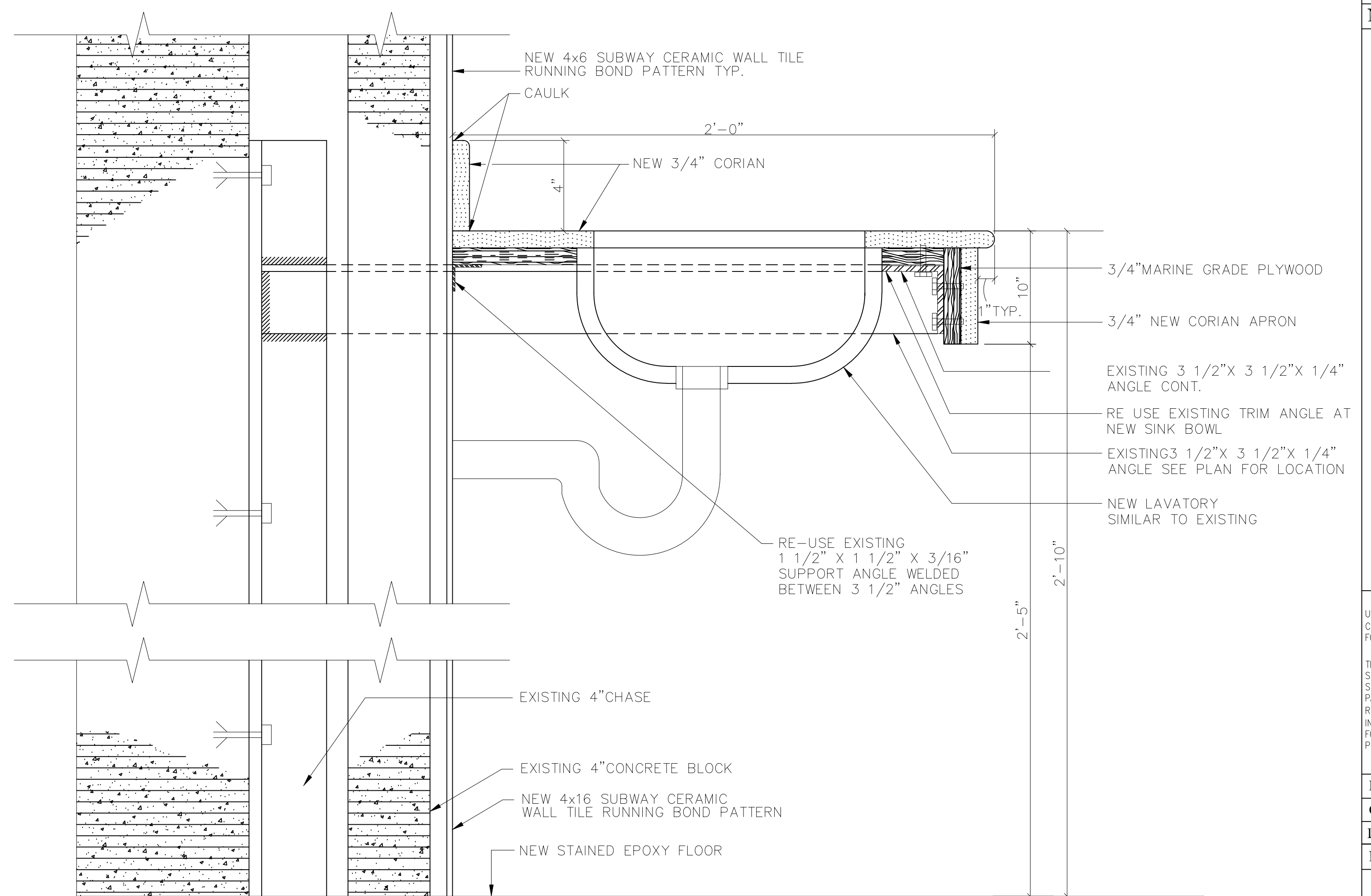
TOILET ELEVATION

D-9 SCALE : 1/2" = 1'-0"



TOILET/SINK ELEVATION

E-9 SCALE : 1/2" = 1'-0"



SCREEN SECTION

2-9 SCALE : 1/2" = 1'-0"

SINK SECTION

1-9 SCALE : 3" = 1'-0"