



C H A T H A M C O U N T Y - S A V A N N A H
METROPOLITAN PLANNING COMMISSION

"Planning the Future - Respecting the Past"

M E M O R A N D U M

DATE: February 20, 2018
TO: Rob Hernandez, City Manager
FROM: Melony West, Interim Executive Director
SUBJECT: Site and Monument Recommendations to City Council

Attached is a recommendation and relevant information from the Historic Site and Monument Commission to City Council for the approval of a marker honoring Louis B. Toomer in Chatham Square for Council's next available agenda.

Please contact me at 651-1446 or Ellen Harris at 651-1482 if you have any questions or need additional information.

MW/sef

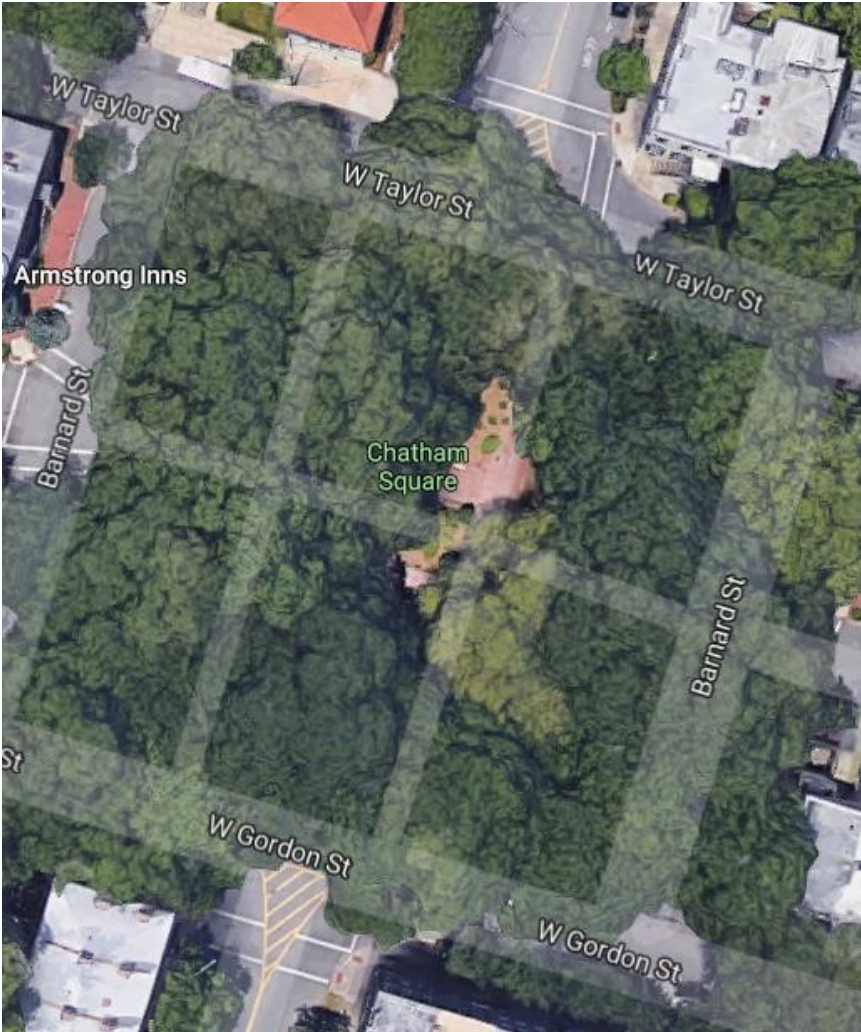
CC: Pete Shonka, Assistant City Manager for Utilities and Construction
Gordon Denney, Director Park and Tree
Mike Weiner, Director of Traffic Engineering
Bret Bull, Public Information Officer
Ellen Harris, Director of Historic Preservation and Urban Planning
Sara Farr-Newman, Historic Preservation Planner

A: Project Description

The Georgia Historical Society (GHS) in partnership with Carver State Bank will erect a new historical marker on African-American entrepreneur Louis B. Toomer. The historical marker text (see Supplement E) relates the impact of Toomer's influence on the Savannah African-American Business District, as well as his roll on a national level as Registrar of the Treasury. The historical marker is to be mounted on a post and installed in Chatham Square near the site of the sundial dedicated in his honor.

B: Photographs and Maps

Chatham Square





C: Themes

The Louis B. Toomer historical marker demonstrates the themes of “Civic and Institutional,” “Industry and Commerce,” and “Local History.”

Civic and Institutional

The Louis B. Toomer historical marker demonstrates the Civic and Institutional theme through the accomplishments of Mr. Toomer as the nation’s Register of the Treasury. Appointed by President Dwight D. Eisenhower, Mr. Toomer held this post from 1953-1956. Furthermore, Mr. Toomer was known for his support of the Republican party, served as chairman of the Chatham County GOP organization, and was a three-time delegate to the GOP convention.

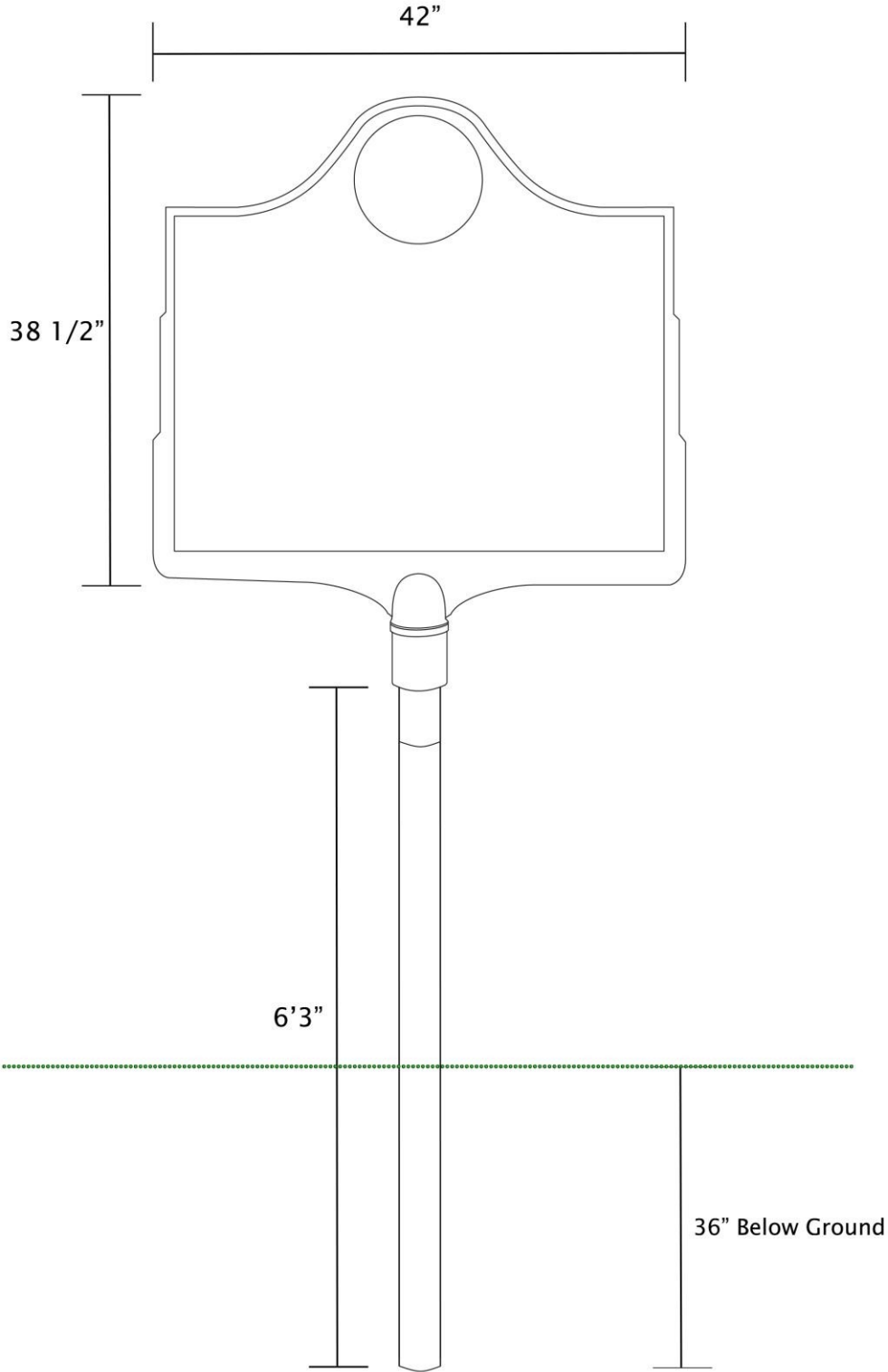
Industry and Commerce

An influential figure in the African-American business community, Toomer established both banking and real estate businesses within Chatham County. Toomer’s establishments provided an alternative to the segregated banking and real estate businesses. Georgia Savings and Realty Corporation, which was founded in 1927 by Toomer, is still in operation as Carver State Bank and serving Chatham County.

Local History

Grandson of the co-founder of *The Savannah Tribune*, Louis B. Toomer helped shape the African-American business community with the creation of Georgia Savings and Realty Corporation. Now known as Carver State Bank, the African-American owned business has been serving the Savannah-area for over 90 years. Toomer, like his grandfather, was a staunch supporter of the Republican party and served as chairman of Chatham County’s GOP organization. To recognize Toomer’s accomplishments to Savannah, the state, and nation, a bronze sundial was erected in Chatham Square in 1964.

D: Marker Drawing



CAST ALUMINUM PLAQUE

42" W X 38-1/2" H

SCALE: 1/8" = 1"

STOP YOU ARE THE FINAL PROOF-READER STOP



38 1/2"

42"

SATIN FINISH LOGO

1-3/8" HIGH LETTERS
SATIN FINISHED

13/16" HIGH LETTERS
SATIN FINISHED

3/4" THICK BORDER
BORDER PAINTED
BLACK

BACKGROUND TO BE
PAINTED BLACK

PAINTED
BLACK

3.5" DIA. ALUMINUM
POST WITH A SATIN FINISH

o DOUBLE SIDED MARKER

o LETTERS ARE SATIN FINISH

PATTERN COUNT:	5/8"	1"	1 1/2"	2"	LETTER HEIGHT
30 X 42	20 62	13 41	11 31	8 25	TYPICAL COUNT

MARKED STOP MARKS STOP MARKS STOP MARKS STOP

E. Historical Marker Text

Louis B. Toomer: Founder of the Carver State Bank

Louis Burke Toomer, African-American leader, local bank founder, and realtor, was born in Savannah in 1897. Raised and educated locally, Toomer established the Georgia Savings and Realty Corporation on February 23, 1927, in the historic black business district on West Broad Street. During segregation, the company provided banking, investment, and insurance services for blacks who were not always allowed access to white banking establishments. In 1947, the name of the corporation changed to The Carver Savings Bank, and it was converted to a State-supervised savings bank. It became Carver State Bank in 1962. A staunch Republican who served as a delegate at three GOP conventions, Toomer was appointed Register of the Treasury (1953-1956) by President Dwight D. Eisenhower. Toomer died in 1961 and a bronze sundial was erected in his honor in 1964 in Chatham Square.

Erected by the Georgia Historical Society and the Carver State Bank

F. Marker Installation

The historical marker is freestanding and will be installed by the City of Savannah.

G. Estimate of Costs

The estimated overall cost for a historical marker within the Georgia Historical Marker Program is \$5000.00.

H. Funds Secured

The Georgia Historical Society has secured funds of \$5000.00 for the total cost of the historical marker.

I. Escrow Payment

The Georgia Historical Society, as administrators of the Georgia Historical Marker Program along with the sponsoring organization(s) listed in the accompanying Sponsor Agreement Form, take responsibility for the repair and replacement of the submitted historical marker. We therefore ask that the Escrow Payment mentioned in the MPC Historical Marker Application be waved.

Please contact the Georgia Historical Society with any questions or concerns about the ongoing maintenance of this proposed historical marker.

J. Letter of Consent

Pending approval.