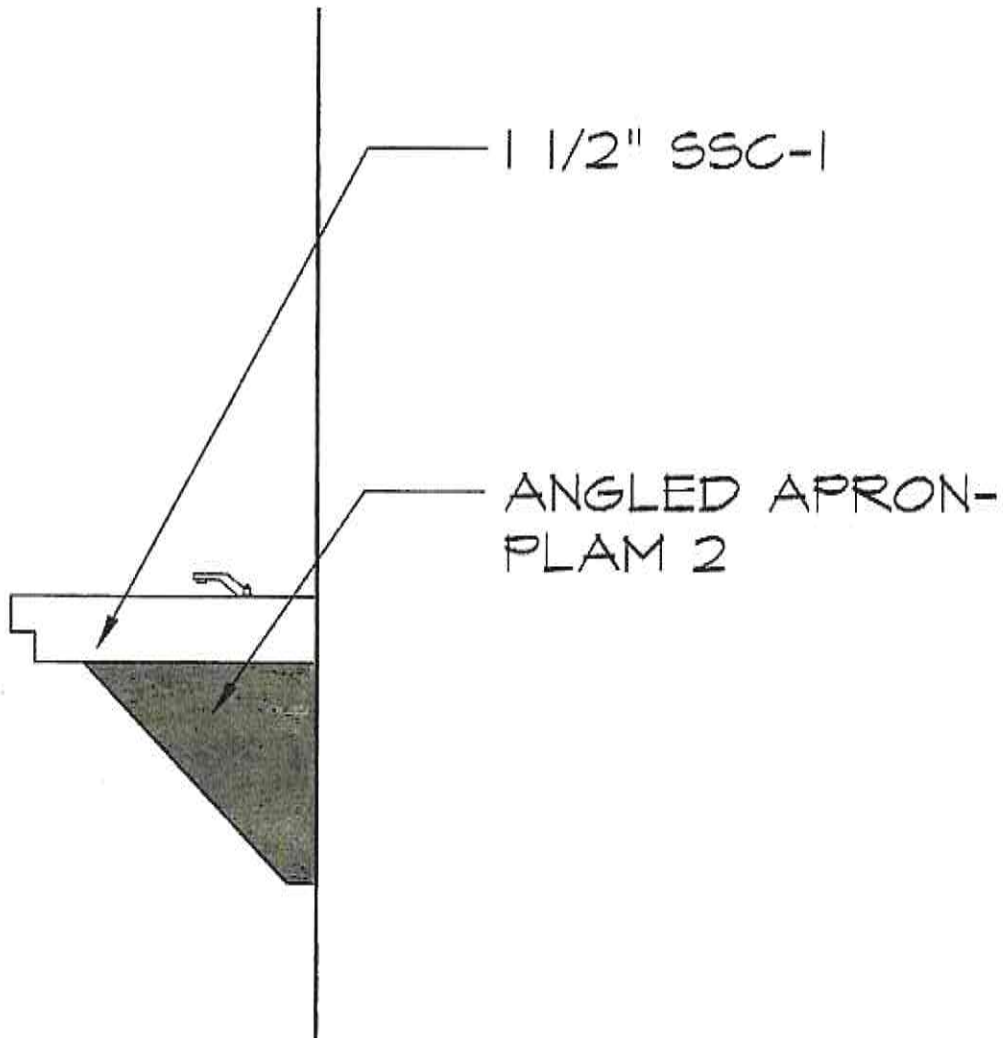


# ATTACHMENT 5



7  
A.I.I

SINK DETAIL  
SCALE: 1/2" = 1'-0"