

Compare Responses

Event #: 7030

Event Name: LED Carriage Lights and Handrail Lights

Number Of Lines: 2

Status: Pending Award

<p>Performance Evaluation Score</p> <p>Supplier Total Bid Amount</p> <p>Total Event Score</p>	<p>Wesco Distribution Brian King</p> <p>(Award All valid only when output is same for all lines)</p> <p>39,186.00</p>	<p>CITY ELECTRIC SUPPLY WILLIAM WILKINS</p> <p>(Award All valid only when output is same for all lines)</p> <p>34,860.00</p>	<p>Granger Aaron Blaine</p> <p>(Award All valid only when output is same for all lines)</p> <p>11,071.20</p>
<p>Line 1: Open: CARRIAGE LIGHT Output: No Output</p> <p>Award Quantity 0.0000</p> <p>Line Quantity 42.0000 EA</p> <p>Unit Price</p> <p>Extended Price</p> <p>Total Line Score</p> <p>Delivery Date</p> <p>UOM Detail</p> <p>Vendor Item</p> <p>Vendor Item Description</p>	<p>0.0000</p> <p>42.0000</p> <p>834.00000</p> <p>35,028.00</p> <p></p> <p></p> <p>BEACON CARRIAGE LIGHT</p> <p>LA120/AC/24NB-27/3K/UNV/DIR/PT</p>	<p>0.0000</p> <p>42.0000</p> <p>790.00000</p> <p>33,180.00</p> <p></p> <p>EACH</p> <p>PCPTT-27-2-GN-AC</p> <p>BEACON CARRIAGE LIGHT</p>	<p>0.0000</p>
<p>Line 2: Open: HANDRAIL VAPOR TIGHT LUMINAIRE Output: No Output</p> <p>Award Quantity 0.0000</p>	<p>0.0000</p>	<p>0.0000</p>	<p>0.0000</p>

Compare Responses continued...

Line	Quantity	42.0000 EA	Unit Price	Extended Price	Total Line Score
	42.0000		99.000000	4,158.00	
	42.0000		40.000000	1,680.00	
	42.0000		263.600000	11,071.20	
Delivery Date					
UOM Detail					
Vendor Item					
Vendor Item Description					
		VAPOR TIGHT FIXTURE LXEN4-40L W-RFA-EDU			
		EACH VT30US440P SLIM VAPORTIGHT			
		Ea 53XH25 Lithonia Vapor Tight Fixture			

This Page Intentionally Left Blank

Response For Supplier: Wesco Distribution

Event # : 7030-0

Name: LED Carriage Lights and Handrail Lights

Reference: Savannah Hilton Head Airport

Description: The purpose of these specifications is to obtain a new LED Carriage Lights and Handrail Lights for the Savannah Airport Commission. The specifications describe the minimum requirement required by the Savannah Airport Commission.

Preview Date:

Q & A Open Date: 03/23/2019 08:00:00 AM

Open Date: 03/22/2019 05:00:00 PM

Q & A Close Date: 04/01/2019 12:00:00 PM

Close Date: 04/09/2019 01:30:00 PM

Dispute Close Date:

Responded To: 2 out of 2 lines

Total Bid Amount: \$39,186.00 USD

Response Attachments

Attachment

lxen.pdf

Line Responses

Line 1: Carriage Light

Description: Carriage Light

Item: CARRIAGE LIGHT Carriage Light

Commodity Code: 931-53 Lighting Fixtures Maintenance and Repair

Quantity: 42.0000

UOM: EA

Bid Quantity: 42.0000

Unit Price: 834.00000

Extended Price: 35,028.00

No Charge: No

No Bid: No

Vendor Item: BEACON CARRIAGE LIGHT LAJ20/AC/24NB-27/3K/UNV/DIR/PT

Line 2: Handrail Vapor Tight Luminaire

Description: Handrail Vapor Tight Luminaire

Item: HANDRAIL VAPOR TIGHT LUMINAIRE Handrail Vapor Tight Luminaire

Commodity Code: 285-76 Street and Highway Lighting Luminaires, Accessories and Part

Quantity: 42.0000

UOM: EA

Requested Delivery Date: 05/31/2019

Bid Quantity: 42.0000

Unit Price: 99.00000

Extended Price: 4,158.00

No Charge: No

No Bid: No

Vendor Item: VAPOR TIGHT FIXTURE LXEN4-40LW-RFA-EDU

Comments: QUOTING A HUBBELL COLUMBIA VAPOR FIXTURE. SPEC SHEET ATTACHED

LED



FEATURES

- Available in 4' length
- Narrow housing design for applications with limited space
- Long life 60,000 hour LEDs at L80 for reduced maintenance
- Four LED color choices
- IP65 and IP67 Standard
- IP66 all sizes when ordered with standard polyacetal (POM) latches
- Fiberglass housing with F1 weatherability rating, standard
- Wet label standard
- UL Sanitation certified to NSF standards
- Gasket is non-porous to ensure seal
- Impact modified acrylic lens equivalent to 100% DR
- Lens firmly secured with captive tamper resistance ready polyacetal latches
- Stainless steel latching optional
- Removable gear tray electrical access
- Includes surface mounting brackets
- Operates from -40°C to +50°C as standard
- Optional elevated ambient on most models
- DLC® (DesignLights Consortium) Qualified - see www.designlights.org
- Five year warranty (Terms and Conditions apply)

PROJECT INFORMATION

Project Name _____

Type _____

Catalog No. _____

Date _____

CONSTRUCTION

Housing is formed from UL 5VA fiberglass. F1 weatherability rating, suitable for indoor or outdoor use with respect to exposure to UV light. Pour-in-place non-porous gasketing assures seal. LED affixed to removable gear tray. 8 Latches per 4' length. Latches are provided tamper resistance ready, tamper resistant screws by others. Latches are standard polyacetal (POM), optional in stainless steel. Access openings are provided for electrical connection.

SHIELDING

Lineal ribbed frosted acrylic lens impact modified equivalent to 100% DR; modification adds flexibility to reduce impact breakage compared to standard acrylic formulations.

FINISH

White painted parts are treated with a five-stage phosphate bonding process and finished with high reflectance baked enamel.

ELECTRICAL

Long-life LEDs are rated for 60,000 hours at L80 lumen maintenance. Driver options include fixed output for on/off function or continuous 0-10V dimming. QR code label affixed to housing for easy traceability.

MOUNTING

Use flexible conduit only.

CERTIFICATION

All luminaires are built to UL1598 and 2108 standards, and bear appropriate CSA labels. Ingress protection IP65, IP66, and IP67 standard. UL Sanitation Certified per NSF Standards. Wet location labeling is standard. DLC® (DesignLights Consortium) Qualified. Please refer to the DLC website for specific product qualifications at www.designlights.org. The DTS, Dimming Bypass Module, is for emergency circuit control loads including sensors and wireless systems listed to UL924. See page 3 for wiring diagram. [Link to Dimming Bypass Module Specification sheet.](#)

WARRANTY

Five year warranty (Terms and Conditions Apply).

ORDERING INFORMATION

EXAMPLE LXEN4-35LW-RFA-EDU

LXEN		4	-	-	RFA	-	U	-
MODEL	SIZE	COLOR TEMP	LUMEN OUTPUT	LENS	DRIVER	VOLTAGE	OPTIONS	
LXEN LED Narrow Enclosed and Gasketed	4 4'	30 3000K 35 3500K 40 4000K 50 5000K	XW Extra Low Watt LW Low Watt	RFA Ribbed Frosted Acrylic ¹	E Fixed Output ED 0-10V Dimming	U 120V-277V	GLR Fast Blow Fuse DTS Dimming Bypass Module ² SSL Stainless Steel Tamper Resistance Ready Latches TP Tamper Proof Latches F3C8W 3 Wire 8' Wet Cord F3C15W 3 Wire 15' Wet Cord SWH Single Wet Hub ½" NPT Hub DWH Dual Wet Hub ½" NPT Hub	

PRODUC. AVAILABILITY				
Size	Lumen Package	Nominal Lumen Range (DFA Lens)	Nominal Watts	Lumens/Watt
4'	XW	2000 - 2200	18	111 - 122
	LW	3800 - 4300	37	102 - 116

Nominal lumen range represents 3000K through 5000K. Lumens vary according to color temperatures and other factors. See specific photometric test(s).

¹ Standard impact resistant equivalent to 100% DR.

² For emergency circuit control loads including sensors and wireless systems listed to UL924. Only available with 0-10V driver. See page 3 for wiring diagram

PHOTOMETRIC DATA

Test 15629 Test Date 10/8/15

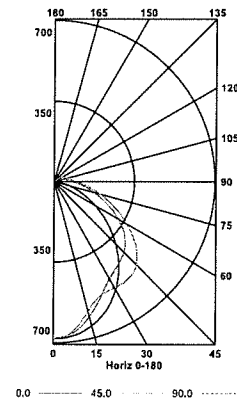
LUMINAIRE DATA

Luminaire	LXEN4-40XW-RFA-EU LXEN LED Narrow Enclosed and Gasketed, Extreme Environment 7" x 51" LED with Ribbed Frosted Acrylic Diffuser
Ballast	XIO20C056V054B5T1
Ballast Factor	1.00
Lamp	LED
Fixture Lumens	2095
Watts	17.70
Mounting	Surface
Shielding Angle	0° = 90 90° = 90
Spacing Criterion	0° = 1.19 90° = 1.18
Luminous Opening in Feet	Length: 4.25 Width: 0.31 Height: 0.17

ZONAL LUMEN SUMMARY

Zone	Lumens	% Lamp	% Fixt.
0-30	484	23.1	23.1
0-40	789	37.6	37.6
0-60	1435	68.5	68.5
0-90	1964	93.7	93.7
0-180	2095	100.0	100.0

INDOOR CANDELA PLOT



ENERGY DATA

Total Luminaire Efficiency	100%
Total Lumens per Watt	118
ANSI/IESNA RP-1-2004 Compliance	Noncompliant
Comparative Yearly Lighting Energy Cost per 1000 Lumens	\$2.07 based on 3000 hrs. and \$0.08 per KWH

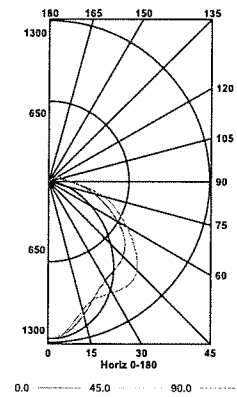
LUMINAIRE DATA

Luminaire	LXEN4-40LW-RFA-EU LXEN LED Enclosed and Gasketed, Extreme Environment 7" x 51" LED with Ribbed Frosted Acrylic Diffuser
Ballast	XIO40C110V054BPT1
Ballast Factor	1.00
Lamp	LED
Fixture Lumens	4085
Watts	36.60
Mounting	Surface
Shielding Angle	0° = 90 90° = 90
Spacing Criterion	0° = 1.19 90° = 1.26
Luminous Opening in Feet	Length: 4.13 Width: 0.29 Height: 0.00

ZONAL LUMEN SUMMARY

Zone	Lumens	% Lamp	% Fixt.
0-30	900	22.0	22.0
0-40	1483	36.3	36.3
0-60	2746	67.2	67.2
0-90	3822	93.5	93.5
0-180	4085	100.0	100.0

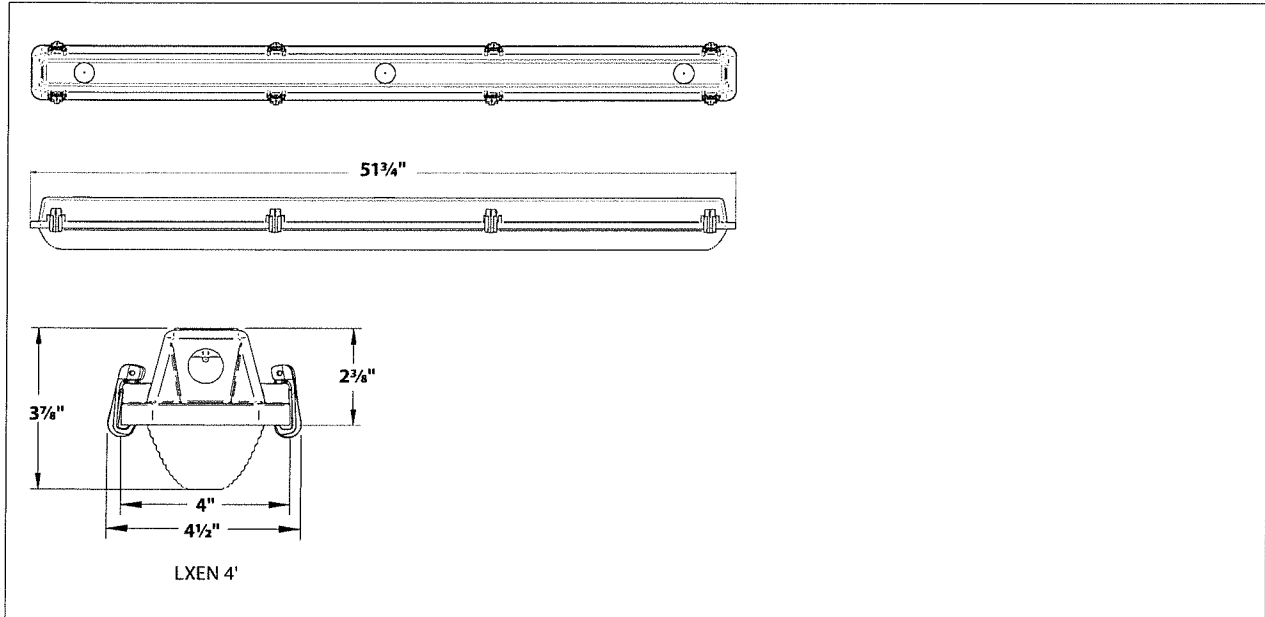
INDOOR CANDELA PLOT



ENERGY DATA

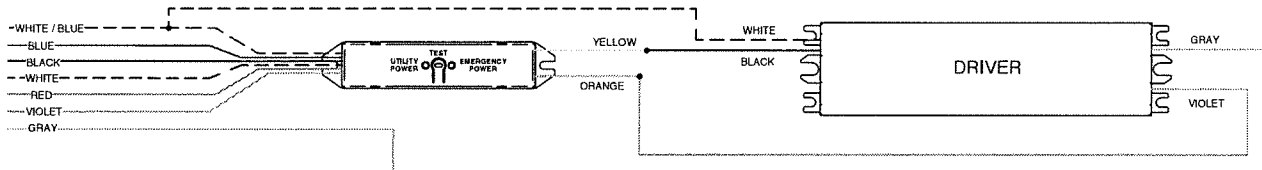
Total Luminaire Efficiency	100%
Total Lumens per Watt	112
ANSI/IESNA RP-1-2004 Compliance	Noncompliant
Comparative Yearly Lighting Energy Cost per 1000 Lumens	\$2.18 based on 3000 hrs. and \$0.08 per KWH

DIMENSIONAL DATA



NOTE: All dimensions are in inches; dimensions and specifications are subject to change without notice. Please consult factory or check sample for verification.

DTS WIRING DIAGRAM



WHITE / BLUE	→	EMERGENCY NEUTRAL
BLUE	→	EMERGENCY LINE
BLACK	→	UTILITY LINE
WHITE	→	UTILITY NEUTRAL
RED	→	SWITCHED HOT
VIOLET	→	DIMMING
GRAY	→	DIMMING

This Page Intentionally Left Blank

Response For Supplier: CITY ELECTRIC SUPPLY

Event # : 7030-0

Name: LED Carriage Lights and Handrail Lights

Reference: Savannah Hilton Head Airport

Description: The purpose of these specifications is to obtain a new LED Carriage Lights and Handrail Lights for the Savannah Airport Commission. The specifications describe the minimum requirement required by the Savannah Airport Commission.

Preview Date:

Q & A Open Date: 03/23/2019 08:00:00 AM

Open Date: 03/22/2019 05:00:00 PM

Q & A Close Date: 04/01/2019 12:00:00 PM

Close Date: 04/09/2019 01:30:00 PM

Dispute Close Date:

Responded To: 2 out of 2 lines

Total Bid Amount: \$34,860.00 USD

Response Attachments

Attachment

LAJ_20_LED_spec_sheet.pdf

Vapor-Tight-Strip_Spec-Sheet.pdf

Line Responses

Line 1: Carriage Light

Description: Carriage Light

Item: CARRIAGE LIGHT Carriage Light

Commodity Code: 931-53 Lighting Fixtures Maintenance and Repair

Quantity: 42.0000

UOM: EA

Bid Quantity: 42.0000

Unit Price: 790.00000

Extended Price: 33,180.00

No Charge: No

No Bid: No

Vendor Item: PCPTT-27-2-GN-AC BEACON CARRIAGE LIGHT

Comments: AS SPECIFIED

Line 2: Handrail Vapor Tight Luminaire

Description: Handrail Vapor Tight Luminaire

Item: HANDRAIL VAPOR TIGHT LUMINAIRE Handrail Vapor Tight Luminaire

Commodity Code: 285-76 Street and Highway Lighting Luminaires, Accessories and Part

Quantity: 42.0000

UOM: EA

Requested Delivery Date: 05/31/2019

Bid Quantity: 42.0000

Unit Price: 40.00000

Extended Price: 1,680.00

No Charge: No

No Bid: No

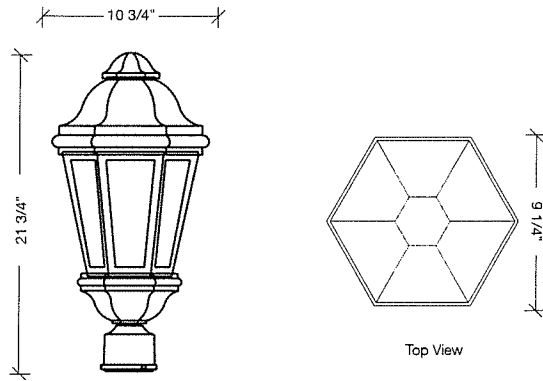
Vendor Item: VT30US440P SLIM VAPORTIGHT

Comments: MEETS SPECS

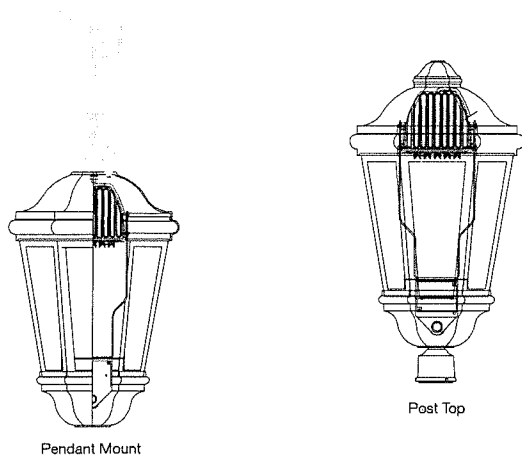
Type: _____
Project Name: _____
Notes: _____

Sample	LAJ20	PC	PSMH50	120	D	GR3	PEC	GENIXX	PT	BBT
Ordering	/	/	/	/	/	/	/	/	/	/
	A	B	C	D	E	F	G	H	I	J

DETAILS



MOUNTING OPTIONS



A. MODEL

LAJ20 La Jolla 20"

B. LENS OPTIONS

AC acrylic, clear
AF acrylic, frosted
AS acrylic, seeded
AW acrylic, white
PC polycarbonate, clear
PF polycarbonate, frosted

C. ENGINE-WATTS

24NB-27 27 Watts - LED array

D. CCT - COLOR TEMP

3K 3000K
4K 4000K
5K 5000K (std.)

E. VOLTAGE

UNV 120-277V

F. OPTICS

DIR2 direct, type II
DIR3 direct, type III
DIR4 direct, type IV
DIR5 direct, type V

G. ELECTRICAL OPTIONS

PEC photocell, button

H. CONTROL OPTIONS

GENI-XX energeni ¹

I. MOUNTING OPTIONS

PT post top
PM pendant mount, arm/stem/chain available ²

I. COLOR

BBT basic black textured
BMT black matte textured
WHT white textured
MBT metallic bronze textured
BZT bronze textured
DBT dark bronze textured
GYS gray smooth
DPS dark platinum smooth
GNT green textured
MST metallic silver textured
MTT metallic titanium textured
OWI old world iron
RAL _____

¹ When ordering Energeni, specify the routine setting code (example GENI-04). See Energeni brochure and instructions for setting table and options. Not available with sensor options.
² Consult factory regarding mounting options and additional information required regarding the mounting in your application.



rev. 03.20.2017

LAJ20 (LED)

20" La Jolla Luminaire

Max Weight: 20.0 lbs

Max EPA: 1.01 sq ft

Housing: All cast aluminum parts shall be low copper alloy A356. All extruded aluminum parts shall be alloy 6061-T6, 6063-T5 or equal.

Construction: The upper chamber/lid shall be topped by a decorative cast aluminum finial/cap and mechanically fastened to the optical chamber. The cast multi-sided cage shall accommodate UV stabilized acrylic or polycarbonate lenses (side panels) which shall be sealed for weather tight operation.
The electrical chamber/fitter shall be aluminum, decorative fitter designed to accommodate the ballast assembly and shall mount to 3 OD x 3" H tenon and secured by three stainless steel set screws.

Fasteners: All fasteners shall be Corrosion Resistant. When tamper resistant fasteners are required, spanner HD (snake eye) style shall be provided (special tool required, available at additional cost).

Finish: Finish shall be a Beacote V polyester powder-coat electro-statically applied and thermocured. Beacote V finish shall consist of a five stage iron phosphate chemical pretreatment regimen with a polymer primer sealer, oven dry off, and top coated with a thermoset super TGIC polyester powder coat finish. The finish shall meet the AAMA 605.2 performance specification which includes passing a 3000 hour salt spray test for corrosion resistance and resists cracking or loss of adhesion per ASTM D522 and resists surface impacts of up to 160 inch-pound.

Bezel Optical System: Each luminaire is supplied with an optical one piece cartridge system consisting of an LED engine, LED lamps, optics, gasket and stainless steel bezel. The cartridge is held together with internal brass standoffs soldered to the board so that it can be field replaced as a one piece optical system. Two-piece silicone and polycarbonate foam gasket ensures a weather-proof seal around each individual LED and allows the luminaire to be rated for high-pressure hose down applications. The optical cartridge is secured to the extruded housing with fasteners and a heat pad to ensure thermal conductivity. The optics are held in place without the use of adhesives and the complete assemble is gasketed for high pressure hose down cleaning. The cartridge assembly is available in various lighting distributions using a specially designed acrylic optical lens over each LED.

Power Supply/Driver Requirements: U.L. UL1310, Class 2 and UL48 compliant

Color Rendering Index (CRI): Luminaire shall have a minimum CRI of 67 at 5000K.

Operating Environment: Shall be able to operate normally in ambient temperatures from -40°C to 40°C

LifeShield™ Circuit: Thermal circuit shall protect the luminaire from excessive temperature by interfacing with its 0-10V dimmable drivers to reduce drive current as necessary. The factory-preset temperature limits shall be designed to ensure maximum hours of operation to assure L70 rated lumen maintenance. The device shall activate at a specific, factory-preset temperature, and progressively reduce power over a finite temperature range in recognition of the effect of reduced current on the internal temperature and longevity of the LEDs and other components. A luminaire equipped with the device may be reliably operated in any ambient temperature up to 55°C (131°F). The thermal circuit will allow higher maximum Wattages than would be permissible on an unregulated luminaire (if some variation in light output is permissible), without risk of premature LED failure. Operation shall be smooth and undetectable to the eye. Thermal circuit shall directly measure the temperature at the LED solder point.

Thermal circuit shall consist of surface mounted components mounted on the LED engine (printed circuit board). For maximum simplicity and reliability, the device shall have no dedicated enclosure, circuit board, wiring harness, gaskets, or hardware. Device shall have no moving parts, and shall operate entirely at low voltage (NEC Class 2). The device shall be located in an area of the luminaire that is protected from the elements.

Thermal circuit shall be designed to "fail on", allowing the luminaire to revert to full power in the event of an interruption of its power supply, or faulty wiring connection to the drivers.

Device shall be able to co-exist with other 0-10V control devices (occupancy sensors, external dimmers, etc.). The device will effectively control the solder point temperature as needed; otherwise it will allow the other control device(s) to function unimpeded.

Surge Protector: The on-board surge protector shall be a UL recognized component for the United States and Canada and have a surge current rating of 20,000 Amps using the industry standard 8/20 pSec wave. The LSP shall have a clamping voltage of 825V and surge rating of 540J. The case shall be a high-temperature, flame resistant plastic enclosure.

Electrical: Luminaires are equipped with LED driver(s) that accept 90 through 305

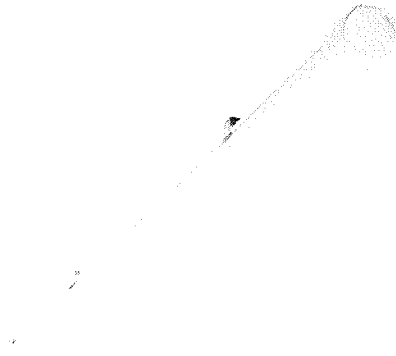
VAC, 50 Hz to 60 Hz (UNIV). Power factor is .92 at full load. All electrical components are rated at 50,000 hours at full load and 25°C ambient conditions per MIL-217F Notice 2. All driver components supplied are component-to-component wiring within the luminaire will carry no more than 80% of rated current and is listed by UL for use at 600VAC at 50°C or higher. Plug disconnects are listed by UL for use at 600 VAC, 15A or higher.

Agency Certification: The luminaire shall bear an NRTL label and be marked suitable for wet locations.

Limited Warranty: Beacon luminaires feature a 5 year limited warranty. Beacon LED luminaires with LED arrays feature a 5 year limited warranty covering the LED arrays. LED drivers are covered by a 5 year limited warranty. PIR sensors carry a 5 year limited warranty from the sensor manufacturer. See Warranty Information on www.beaconproducts.com for complete details and exclusions.

Due to our continued efforts to improve our products, product specifications are subject to change without notice.

LED VAPOR TIGHT STRIP



IP67 and IK10 ratings plus corrosion resistance make this the toughest fixture around.

Uniquely rugged and slim, the Litetronics LED Vapor Tight Slim Strip Light works where few other lighting products can. Only 1.5 inches in diameter, this DLC Premium product is both IP67 and IK10 rated. Suitable for both indoor and outdoor use, this corrosion-resistant fixture is well-suited for harsh industrial environments like food-service and factory environments as well as warehouses.

Offering 130 lumens per watt, and a beam angle of 120°, the Vapor Tight Slim Strip Light features a highly transparent cover. With compact stainless steel hardware for mounting the fixture on walls or ceilings, the product is well-suited for applications where only limited space is available.

KEY FEATURES

- IP67 Rated
- DLC Premium listed
- IK10 Rated
- Connectability between fixtures
- 4' & 8' models
- 130 lpw
- 5 year warranty
- Corrosion resistant
- Non-dimmable
- 5' cable attached
- 100-277V
- Stainless steel wall/ceiling mount accessories standard

MARKETS

- Commercial
- Warehouse
- Retail
- Schools
- Health Care
- Gas Stations
- Factories

APPLICATIONS

- Corridor Lighting
- Halls
- Storage Areas
- Stairways
- Parking Lots
- Car Washes



LED VAPOR TIGHT STRIP

SPECIFICATIONS

Average Rated Life: 50,000H

CRI: 80

Mounting: Stainless steel brackets

Power Factor: ≥0.91

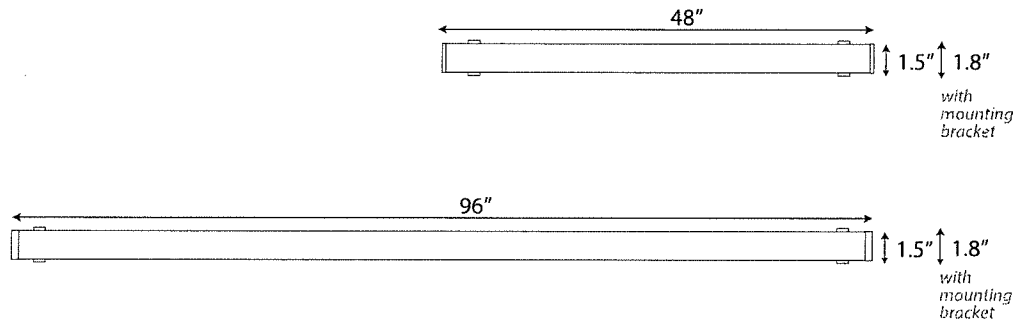
Volts: 120-277

Beam Angle: 120°

IP Rating: 67

IK Rating: 10

Operating Temperature: -22°F to 113°F

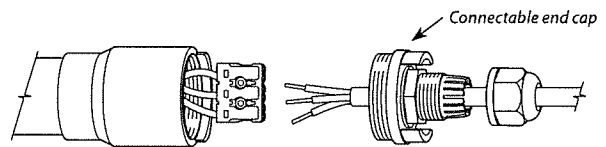


CONNECTABILITY

The 4' model can be daisy chained, enabling coverage of a larger area from one power source.

Max number of fixtures that can be connected:

WATTS	MAX QUANTITY IN DAISY CHAIN
30	33



Above: The stock end cap has been removed and replaced with the connectable end cap, facilitating the connection between two fixtures while maintaining the same protection from the elements.

ORDERING INFORMATION

TYPE	WATTS	VOLTS	ORDERING CODE	DESCRIPTION	CCT (K)	LUMENS
4'	30	120-277	VT30US440P	30W 4' LED VAPOR TIGHT 120-277V 4000K PREM	4000	3,900
			VT30US450P	30W 4' LED VAPOR TIGHT 120-277V 5000K PREM	5000	
8'	55		VT55US840P	55W 8' LED VAPOR TIGHT 120-277V 4000K PREM	4000	7,150
			VT55US850P	55W 8' LED VAPOR TIGHT 120-277V 5000K PREM	5000	

ACCESSORIES

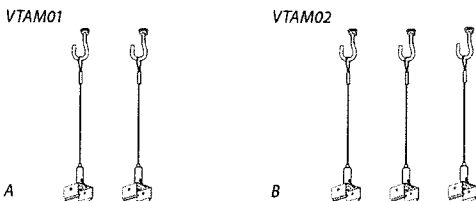


IMAGE	ORDERING CODE	DESCRIPTION	ACCESSORY USE
A	VTAM01	4' VAPOR TIGHT SUSPENSION MOUNT KIT	Used to suspend 4' Vapor Tight light
B	VTAM02	8' VAPOR TIGHT SUSPENSION MOUNT KIT	Used to suspend 8' Vapor Tight light

This Page Intentionally Left Blank

Response For Supplier: Grainger

Event # : 7030-0

Name: LED Carriage Lights and Handrail Lights

Reference: Savannah Hilton Head Airport

Description: The purpose of these specifications is to obtain a new LED Carriage Lights and Handrail Lights for the Savannah Airport Commission. The specifications describe the minimum requirement required by the Savannah Airport Commission.

Preview Date:

Q & A Open Date: 03/23/2019 08:00:00 AM

Open Date: 03/22/2019 05:00:00 PM

Q & A Close Date: 04/01/2019 12:00:00 PM

Close Date: 04/09/2019 01:30:00 PM

Dispute Close Date:

Responded To: 2 out of 2 lines

Total Bid Amount: \$11,071.20 USD

Line Responses

Line 1: Carriage Light

Description: Carriage Light

Item: CARRIAGE LIGHT Carriage Light

Commodity Code: 931-53 Lighting Fixtures Maintenance and Repair

Quantity: 42.0000

UOM: EA

No Charge: No

No Bid: Yes

Line 2: Handrail Vapor Tight Luminaire

Description: Handrail Vapor Tight Luminaire

Item: HANDRAIL VAPOR TIGHT LUMINAIRE Handrail Vapor Tight Luminaire

Commodity Code: 285-76 Street and Highway Lighting Luminaires, Accessories and Part

Quantity: 42.0000

UOM: EA

Requested Delivery Date: 05/31/2019

Bid Quantity: 42.0000

Unit Price: 263.60000

Extended Price: 11,071.20

No Charge: No

No Bid: No

Event # 7030-0: LED Carriage Lights and Handrail Lights

Vendor Item: 53XH25 Lithonia Vapor Tight Fixture